

Fytogreen

Greening the Built Environment



New from Fytogreen's research programme...the **FytoArbour**

An ultra lightweight, suspended garden,
ideal for Arbours and Pergola's.

Fytogreen Australia

ph. 1300 182 341

www.fytogreen.com.au

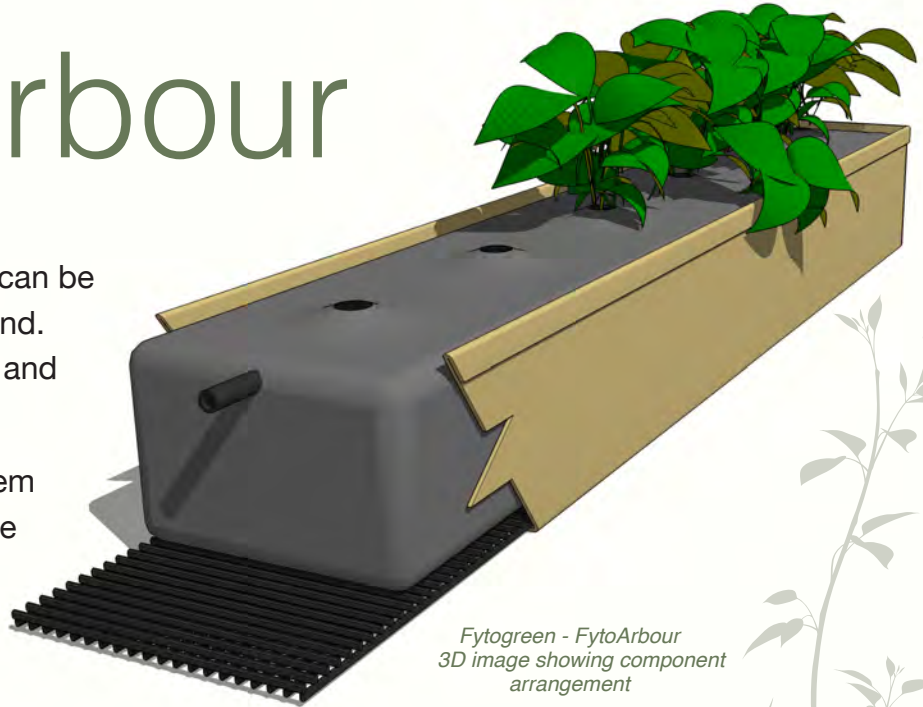
FytoGreen

FytoArbour

The FytoArbour module system is a self-contained hydroponic garden that can be suspended or mounted above the ground. It has a dedicated automated irrigation and fertigation system.

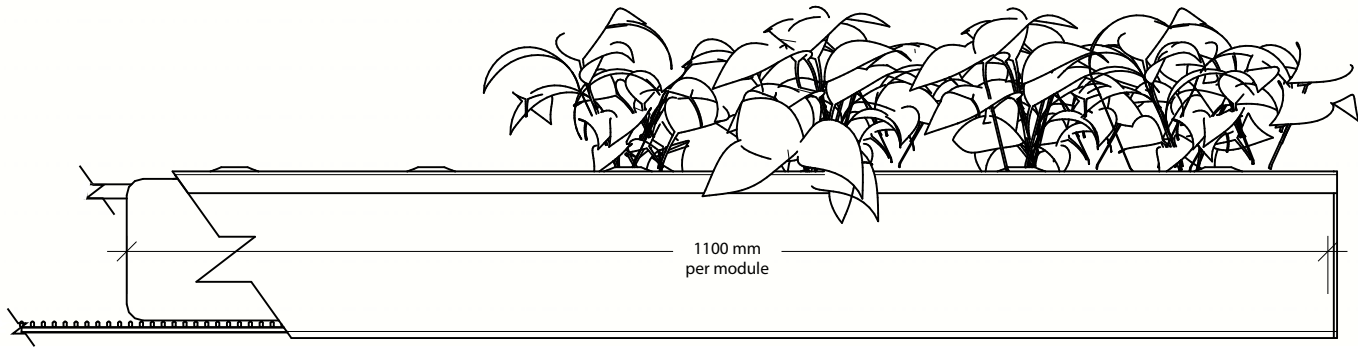
The outstanding advantage of the system is not having plants growing up from the base of the structure as with traditional arbours and pergolas which normally takes up valuable floor space just where you need it.

The standard modules are 1100mm long and can be placed end to end indefinitely to suit the application. Contact FytoGreen on 1300 182 341 for more details.



*FytoGreen - FytoArbour
3D image showing component
arrangement*

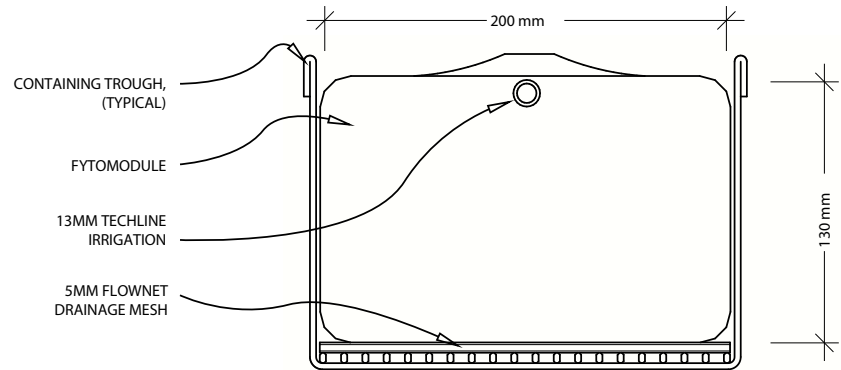




SIDE ELEVATION

*Fytogreen - FytoArbour
Typical Drawings*

- Full saturated weight can be up to 25kg per lineal metre.
- The containing trough will need drainage, typically a 40mm puddle flange.
- A typical 20mm poly supply line is required to join with the 13mm Techline irrigation pipe.
- A double GPO is required near the irrigation controller.



END ELEVATION SECTION



Images of recently planted FytoArbour

Fytogreen

FOR MORE INFORMATION ABOUT **FytoArbour** CONTACT:

Fytogreen Australia Pty Ltd
3 Webbs Lane, Somerville, Victoria, 3912
Ph: 1300 182 341
Email: info@fytogreen.com.au