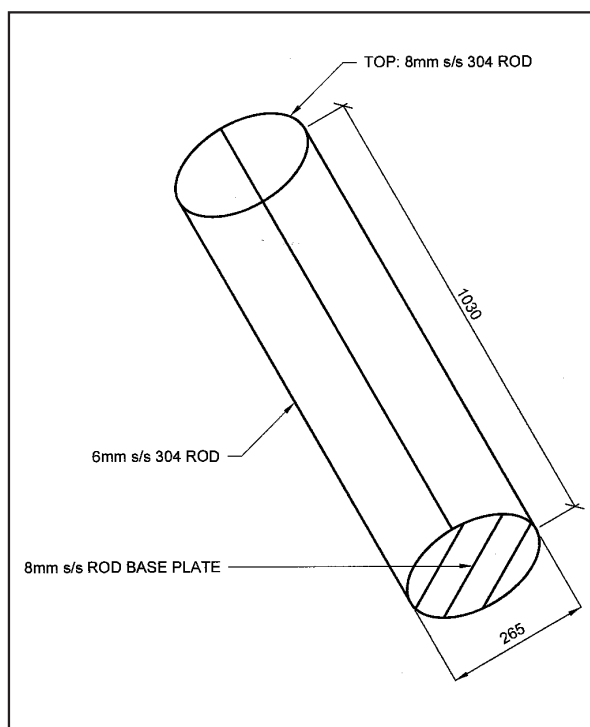


Fytowall Cylinders

A great way to incorporate green foliage without compromising space, perfect for atriums and food courts. Fytowall Cylinders attach to overhead catenary wires, they are fully engineered to site specific conditions.

Not only do the planters look amazing they also improve the air quality and reduces the indoor air temperature in summer (Large numbers of plants in a small foot print allows the plants to reduce VOC's, reduce CO2 levels and enrich O2 levels.)



KEY FEATURES OF FYTOGREEN'S CYLINDER GARDEN

- Unit diameter is 265mm plus foliage, therefore total diameter of 500-600mm.
- Column units are fixed to vertical wires via cable clamp attachments.
- Pre-grown at Fytogreen Greenhouse prior to installation
- No need to wait months for 100% foliage cover, they look lush and full from installation date.
- Can be installed by fixing units on the ground and winching the entire cylinder column up into position.

For more details contact Fytogreen on 1300 182 341

or email: info@fytogreen.com.au