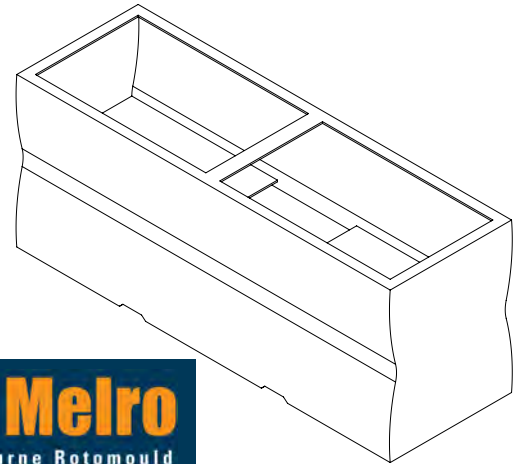
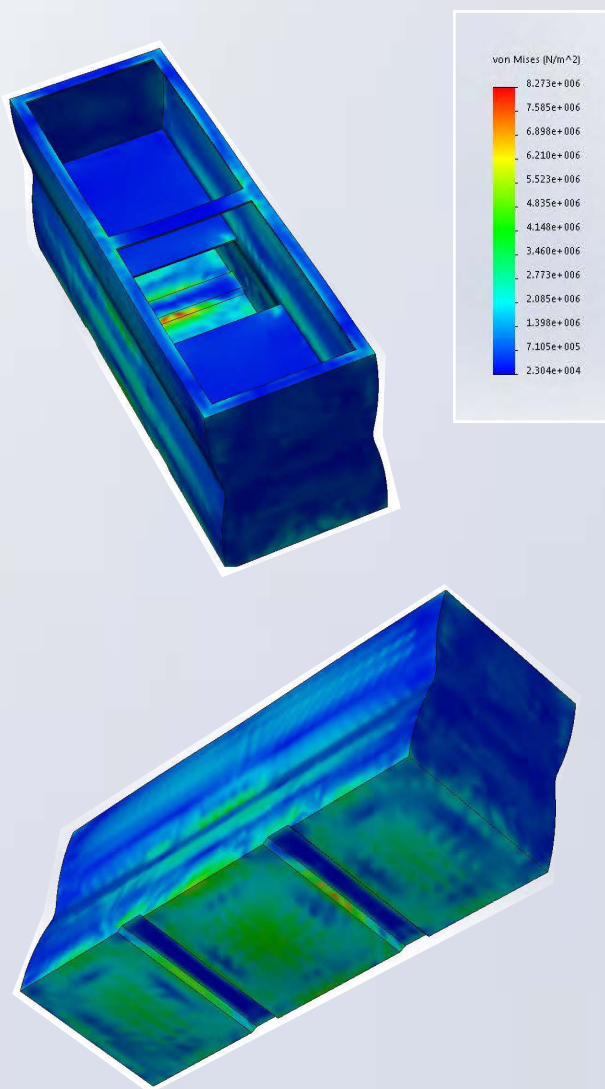


Fytogreen
Greening the Built Environment



8mm wall planter loaded with 1150kg, supported only by fork tyne recesses

Peak stress 8.3 MPa



Fytogreen's range of Linear Low Density Polyethylene planter boxes provide a UV stable, flexible container for both planter boxes and green facades.

This form of planter box, offers incredible flexibility in design and installation; It can act as a liner or an independent structural element where the drainage can be direct plumbed from outlets that can be where ever it is required and bypassing the requirement for a water proof membrane.

The colour range is vast and the ability to cut, adjust and re-weld the standard planter box sizes to fit, is straight forward. They can be shortened, lengthened or combined to match bespoke requirements.

Fytogreen's planter boxes are supplied by Melbourne Rotomould, who started the business to use their extensive rotomoulding knowledge to manufacture innovative designs for creative Australian and international businesses.

Melro proudly manufacture a big range of high quality plastic products for many different industries. For domestic applications, Melro branded water tanks are readily available at major plumbing and hardware retailers throughout Victoria. Additionally, we have extensive expertise with complex industrial installations and fabrications, and make plastic products and components for innumerable industries from biomedical through to agricultural.

Their products are manufactured locally to meet high Australian standards and they are committed to purchasing Australian made inputs wherever possible. So by choosing Fytogreen and Melbourne Rotomould, you are not only choosing world class products, you are supporting local jobs and our local economy.

Fytogreen Australia Pty Ltd

3 Webbs Lane, Somerville, Victoria, 3912

www.fytogreen.com.au

Ph: 1300 182 341